

Atera SIGNO

Mercedes Benz S-Klasse (W221) 06/2005–08/2013

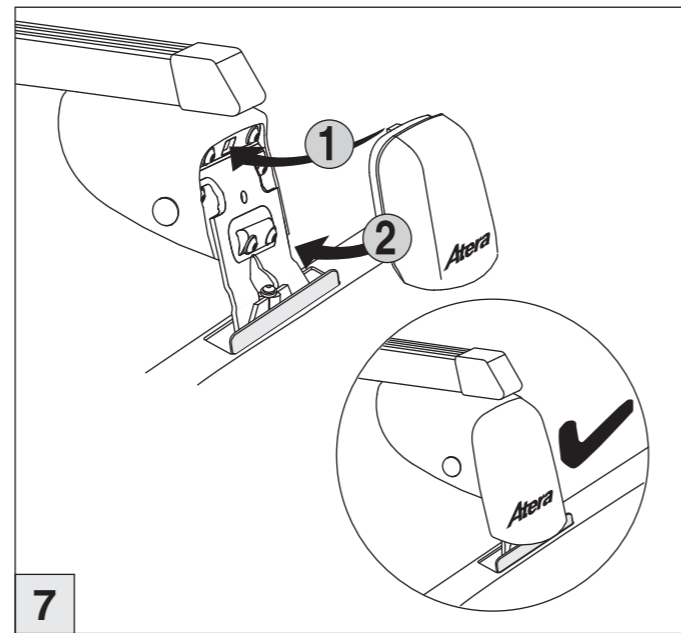
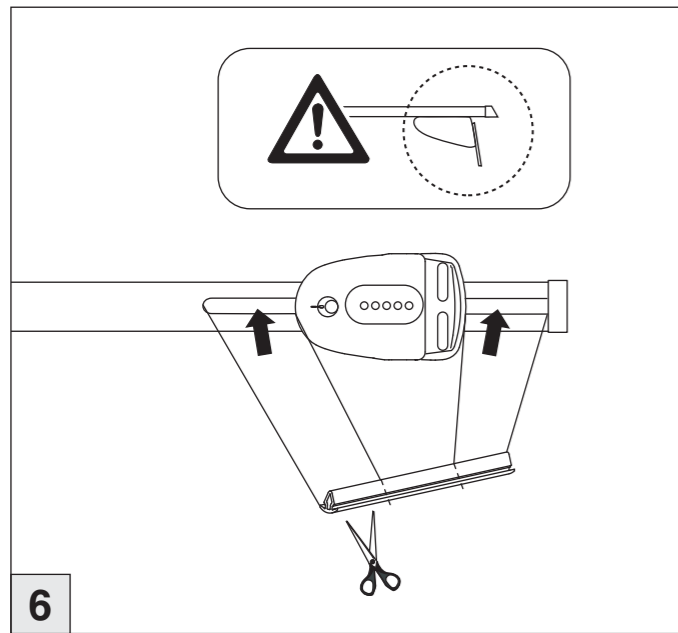
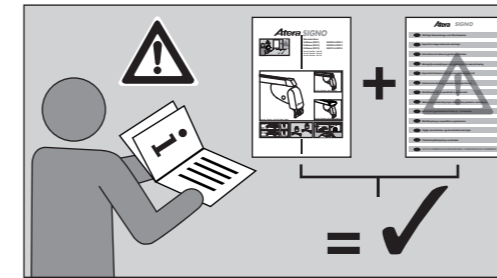
Mercedes Benz E-Klasse (W212) 03/2009–03/2013
Mercedes Benz E-Klasse (W212) 04/2013–04/2016

Atera SIGNO

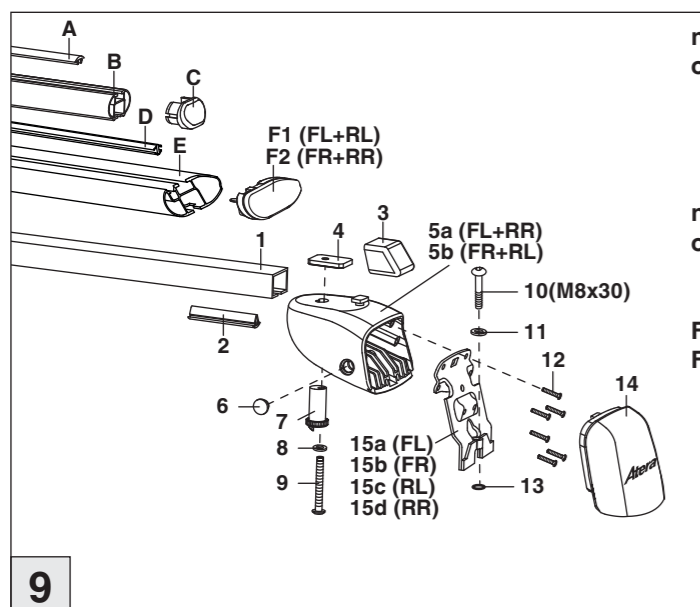
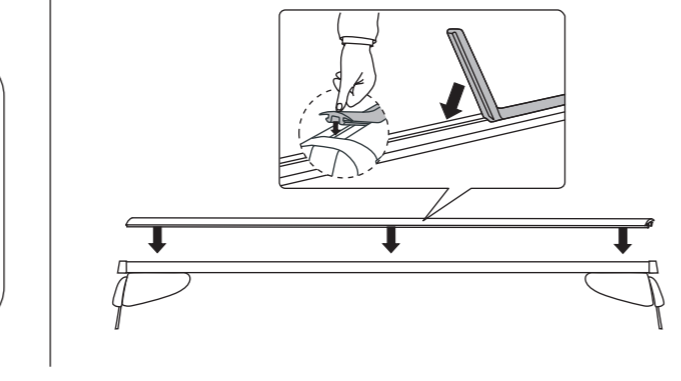
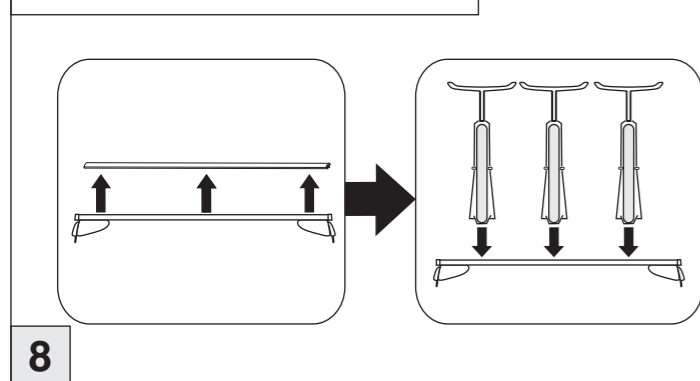
Mercedes Benz
S-Klasse (W221)
E-Klasse (W212)
E-Klasse (W212)

06/2005–08/2013
03/2009–03/2013
04/2013–04/2016

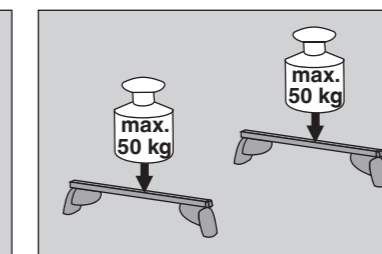
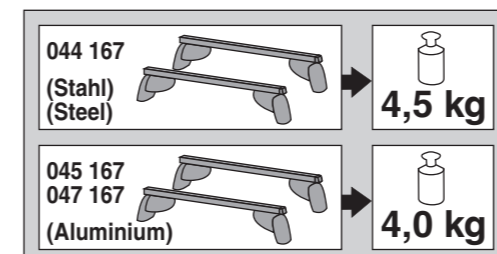
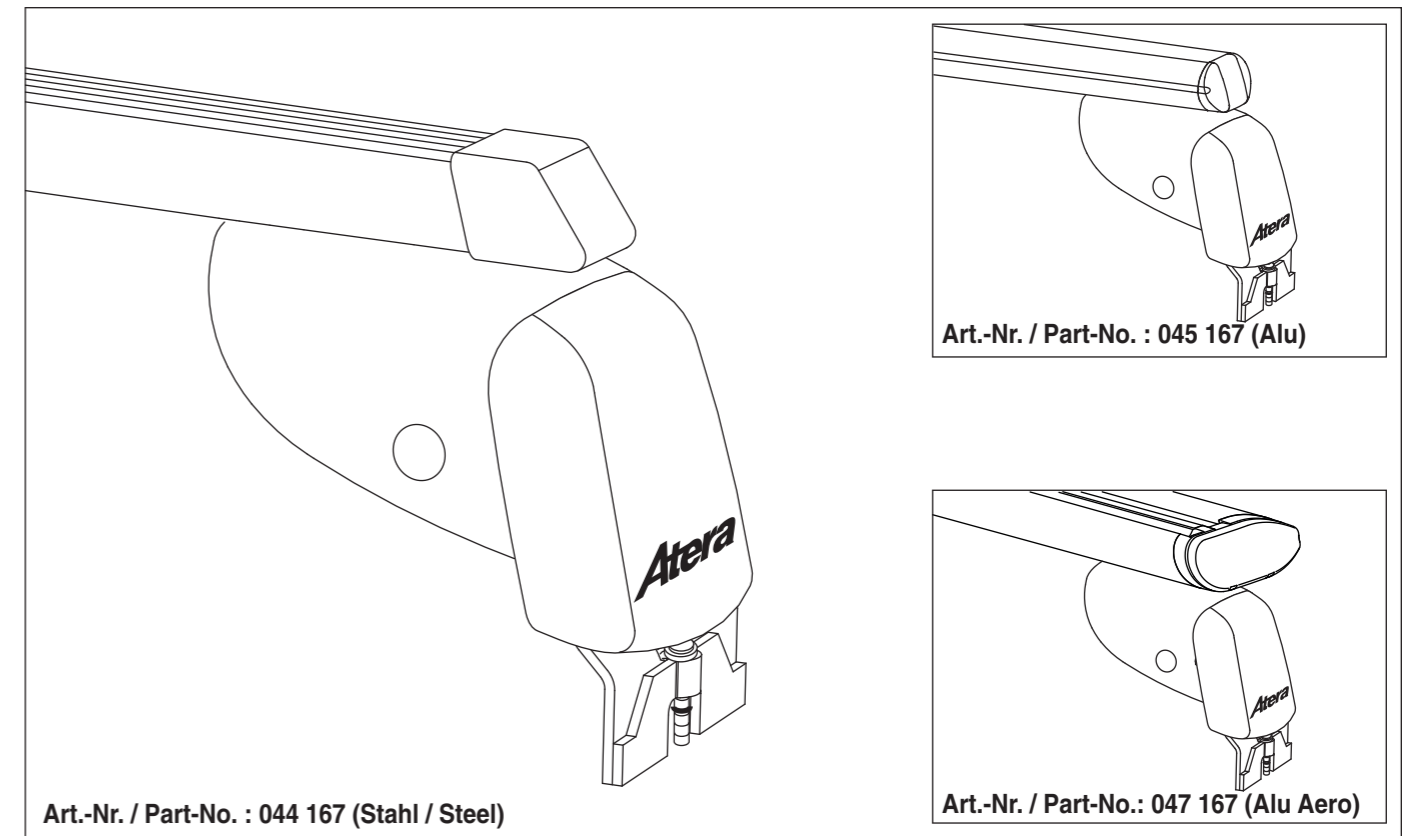
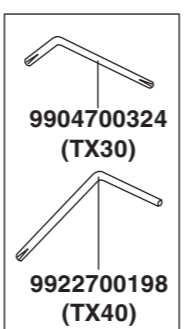
Art.-Nr. / Part-No. : 044 167
Art.-Nr. / Part-No. : 045 167
Art.-Nr. / Part-No. : 047 167



nur bei / only for Part-No.: 045 167



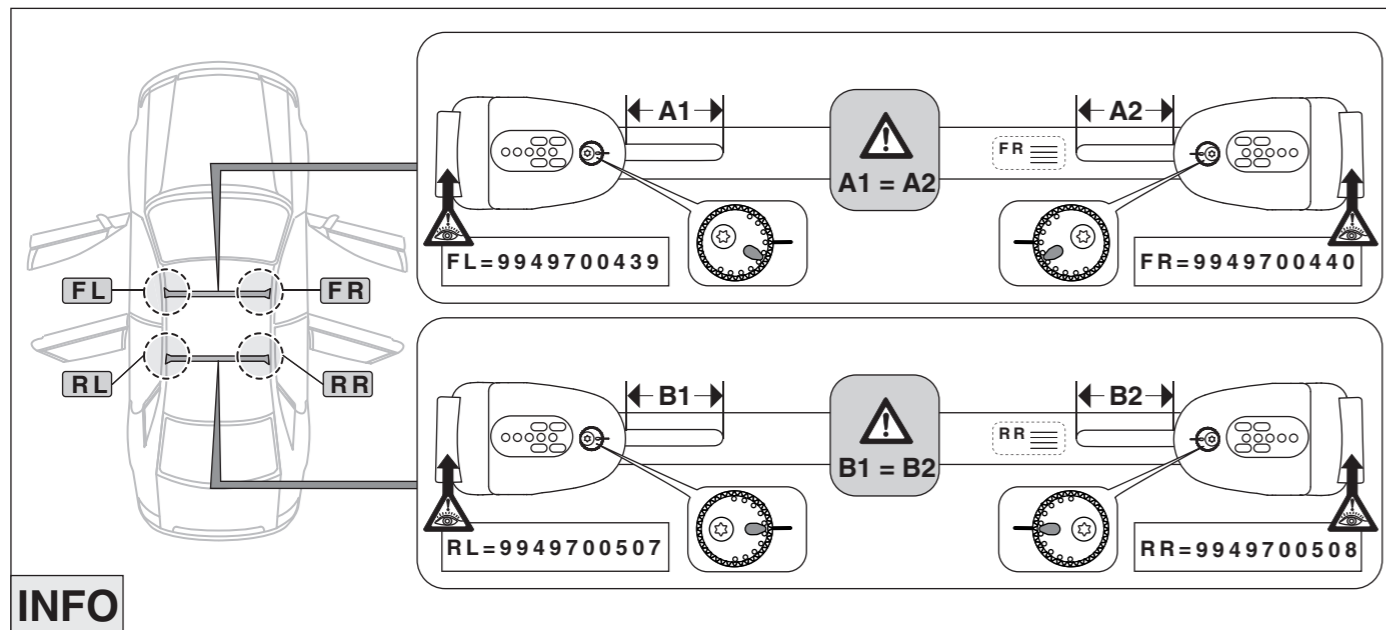
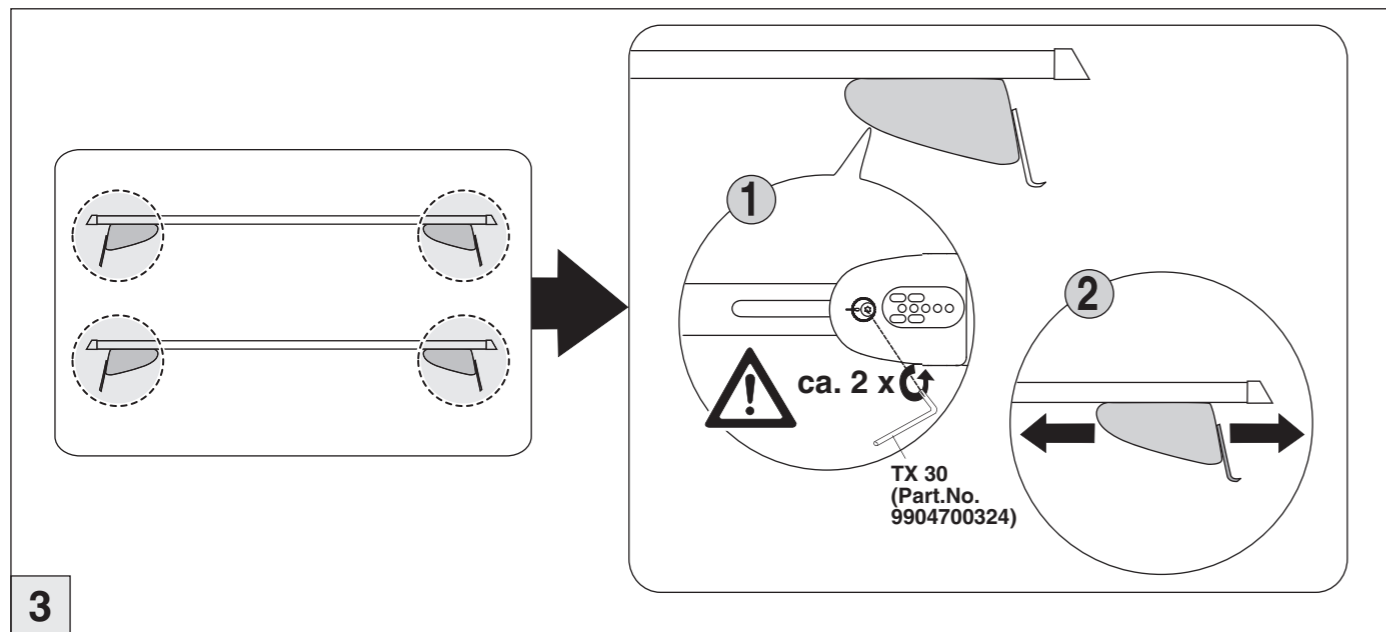
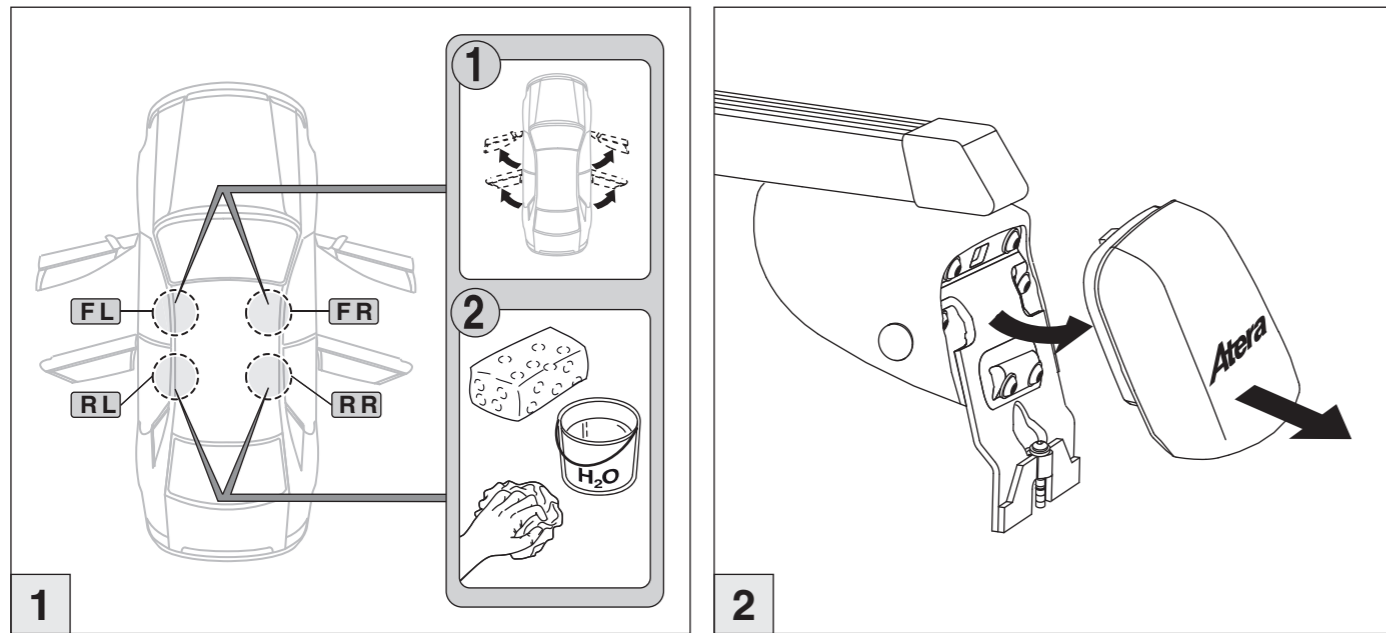
- | | |
|----------------------------|-----------------|
| nur bei Art.Nr.: 045 167 | 1- 9945700092 |
| only for part no.: 045 167 | 2- 9919700062 |
| A- 9919700065 | 3- 9945700105 |
| B- 9945700112 | 4- 9912700051 |
| C- 9918700253 | 5a- 9918700526 |
| | 5b- 9918700527 |
| nur bei Art.Nr.: 047 167 | 6- 9918700250 |
| only for part no.: 047 167 | 7- 9918700249 |
| D- 9919700163 | 8- 9910700004 |
| E- 9945700223 | 9- 9908700231 |
| F1- 8828700062 | 10- 9908700293 |
| F2- 8828700063 | 11- 9910700015 |
| | 12- 9908700010 |
| | 13- 9922700204 |
| | 14- 9918700243 |
| | 15a- 9949700439 |
| | 15b- 9949700440 |
| | 15c- 9949700507 |
| | 15d- 9949700508 |



Atera SIGNO

Mercedes Benz S-Klasse (W221) 06/2005–08/2013

Mercedes Benz E-Klasse (W212) 03/2009–03/2013
Mercedes Benz E-Klasse (W212) 04/2013–04/2016



Atera SIGNO

Mercedes Benz S-Klasse (W221) 06/2005–08/2013

Mercedes Benz E-Klasse (W212) 03/2009–03/2013
Mercedes Benz E-Klasse (W212) 04/2013–04/2016

