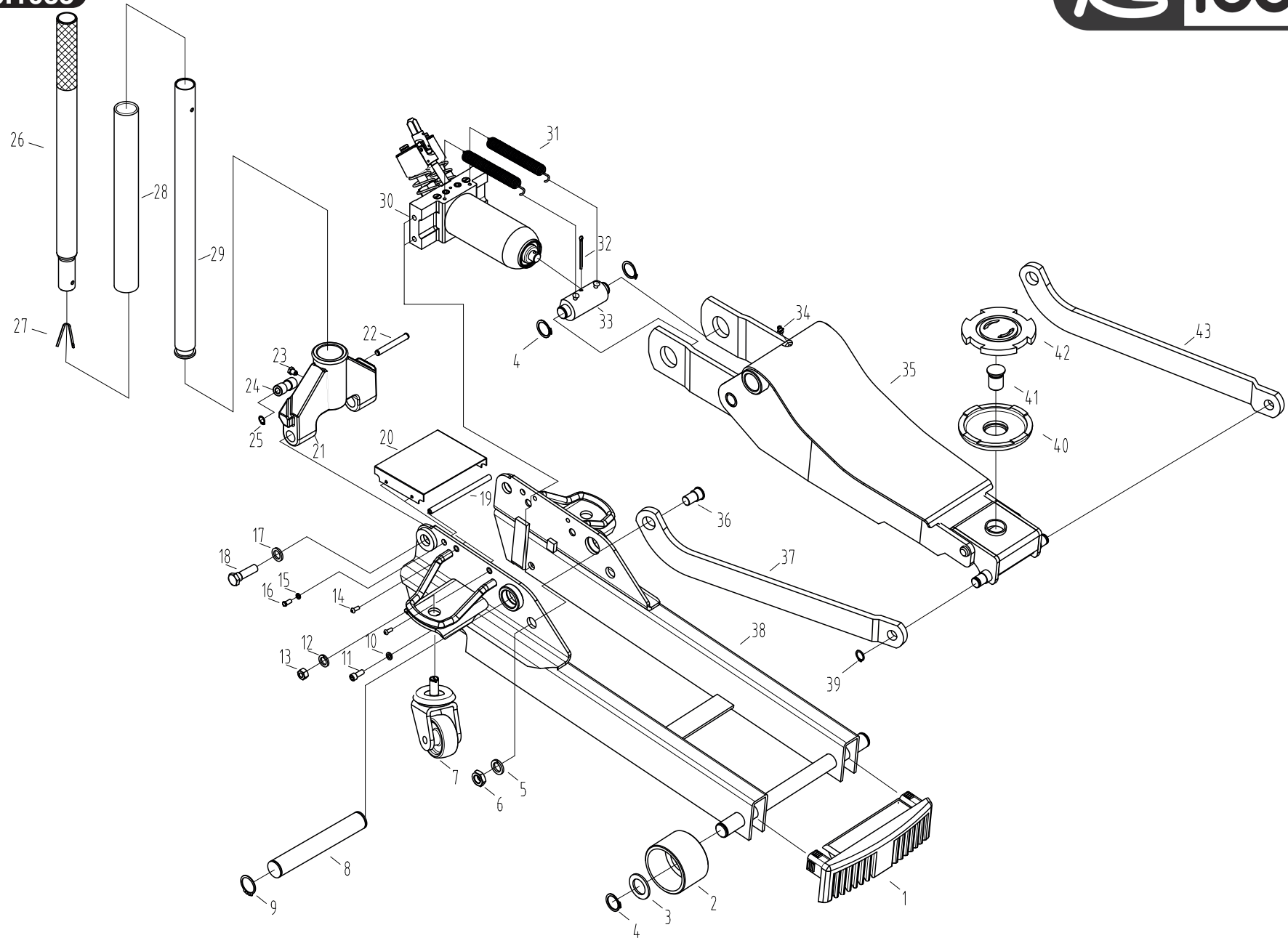


Art. 160.1035

KS TOOLS®



Art. 160.1035

Part. No	Art.-Nr.	Beschreibung	Description	Menge Qty.
1	160.1035-R001P	Vorderer Gummipuffer	Front Guard Cover	1
2	160.1035-R002P	Vordere Rolle	Front Wheel	2
3	160.1035-R003P	Unterlegscheibe	Washer	2
4	160.1035-R004P	Sicherungsring	Retainer Ring	4
5	160.1035-R005P	Unterlegscheibe	Washer	2
6	160.1035-R006P	Bolzen	Bolt	2
7	160.1035-R007P	Lenkrolle	Rear Caster Assembly	2
8	160.1035-R008P	Hubarmachse	Lifting Arm Shaft	1
9	160.1035-R009P	Sicherungsring	Retainer Ring	2
10	160.1035-R010P	Unterlegscheibe	Washer	2
11	160.1035-R011P	Schraube	Screw	2
12	160.1035-R012P	Unterlegscheibe	Washer	2
13	160.1035-R013P	Bolzen	Bolt	2
14	160.1035-R014P	Schraube	Screw	2
15	160.1035-R015P	Unterlegscheibe	Washer	2
16	160.1035-R016P	Bolzen	Bolt	2
17	160.1035-R017P	Unterlegscheibe	Washer	2
18	160.1035-R018P	Bolzen	Bolt	2
19	160.1035-R019P	Achse	Axle	1
20	160.1035-R020P	Abdeckung	Cover Board	1
21	160.1035-R021P	Lenkstangenaufnahme	Handle Socket	1
22	160.1035-R022P	Bolzen	Screw Roller Shaft	1

Part. No	Art.-Nr.	Beschreibung	Description	Menge Qty.
23	160.1035-R023P	Schraube	Screw	1
24	160.1035-R024P	Umlenkrolle	Roller	1
25	160.1035-R025P	Sicherungsring	Retainer Ring	1
26	160.1035-R026P	Obere Lenkstange	Rear Handle	1
27	160.1035-R027P	Arretierungsfeder	Locating Pin	1
28	160.1035-R028P	Schaumstoffschutz für Lenkstange	Handle Sleeve	1
29	160.1035-R029P	Untere Lenkstange	Front Handle	1
30	160.1035-R030P	Hydraulikeinheit	Power Unit Assembly	1
31	160.1035-R031P	Feder	Spring	2
32	160.1035-R032P	Splint	Pin	1
33	160.1035-R033P	Fusspedal Aufnahme	Smaller Handle socket	1
34	160.1035-R034P	Schmiernippel	Grease Fitting	1
35	160.1035-R035P	Hubarm	Lifting Arm Assembly	1
36	160.1035-R036P	Bolzen	Bolt	2
37	160.1035-R037P	Rechte Verbindungsstrebe	Right Connecting Rod	1
38	160.1035-R038P	Rahmen	Side Frame Assembly	1
39	160.1035-R039P	Sicherungsring	Retainer Ring	2
40	160.1035-R040P	Aufnahmeteller	Saddle	1
41	160.1035-R041P	Schraube für Aufnahmeteller	Saddle Screw	1
42	160.1035-R042P	Gummiteller	Rubber Pad	1
43	160.1035-R043P	Linke Verbindungsstrebe	Left Connecting Rod	1