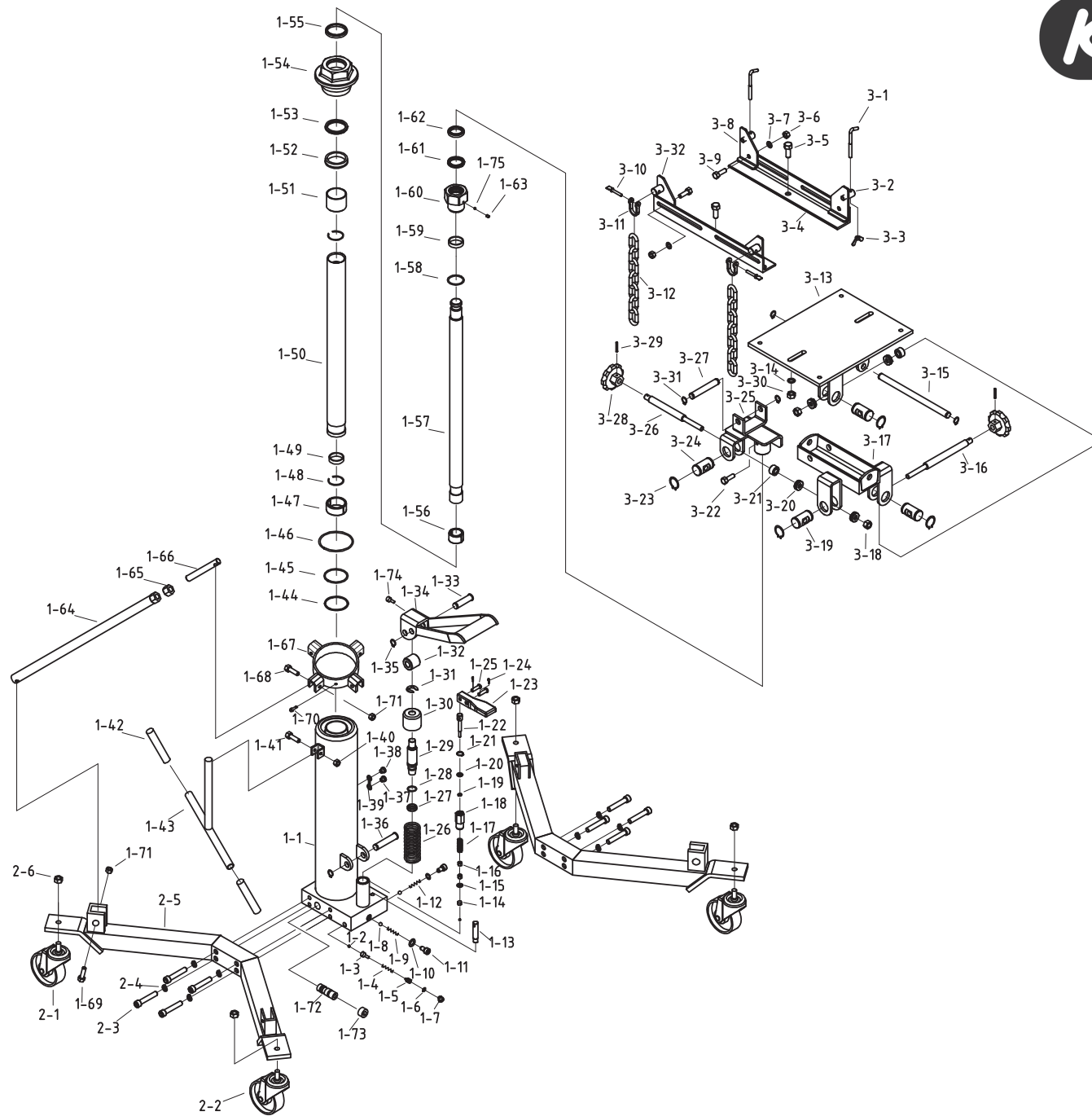


Art. 160.1310



Art. 160.1310

Part. No	Art.-Nr.	Beschreibung	Description	Menge Qty.
1-1	160.1310-R001P	Grundkörper für Hydraulikeinheit	Ram assy	1
1-2	160.1310-R002P	Stahlkugel	Steel Ball	2
1-3	160.1310-R003P	Ventilsitz	Ball Seat	1
1-4	160.1310-R004P	Feder	Spring	1
1-5	160.1310-R005P	Schraube	Screw	1
1-6	160.1310-R006P	Unterlegscheibe	Washer	1
1-7	160.1310-R007P	Schraube	Screw	1
1-8	160.1310-R008P	Stahlkugel	Steel Ball	3
1-9	160.1310-R009P	Feder	Spring	1
1-10	160.1310-R010P	Kupferdichtung	Copper Washer	2
1-11	160.1310-R011P	Bolzen	Bolt	2
1-12	160.1310-R012P	Feder	Spring	1
1-13	160.1310-R013P	Bolzen	Rod	1
1-14	160.1310-R014P	Ventilsitz	Ball Seat	1
1-15	160.1310-R015P	Kupferdichtung	Copper Washer	1
1-16	160.1310-R016P	Mutter	Nut	2
1-17	160.1310-R017P	Feder	Spring	1
1-18	160.1310-R018P	Ölablassventil	Oil Release Valve	1
1-19	160.1310-R019P	O-Ring	O-ring	1
1-20	160.1310-R020P	Unterlegscheibe	Washer	1
1-21	160.1310-R021P	Sicherungsring	Snap Ring	1
1-22	160.1310-R022P	Ablassventil	Release Valve	1
1-23	160.1310-R023P	Ablassventilpedal	Release Valve Pedal	1
1-24	160.1310-R024P	Bolzen	Pin	2
1-25	160.1310-R025P	Bolzen	Pin	2
1-26	160.1310-R026P	Feder	Spring	1
1-27	160.1310-R027P	Y-Ring	Y-ring	1
1-28	160.1310-R028P	O-Ring	O-ring	1
1-29	160.1310-R029P	Pumpkolben	Pump Plunger	1
1-30	160.1310-R030P	Federabdeckung	Spring Cover	1
1-31	160.1310-R031P	Sicherungsring	Snap Ring	1

Part. No	Art.-Nr.	Beschreibung	Description	Menge Qty.
1-32	160.1310-R032P	Kugellager	Bushing	1
1-33	160.1310-R033P	Bolzen	Pin A	1
1-34	160.1310-R034P	Fusspedal	Foot Pedal	1
1-35	160.1310-R035P	Sicherungsring	Snap Ring	2
1-36	160.1310-R036P	Bolzen	Pin B	1
1-37	160.1310-R037P	Öleinfüllschraube	Reservoir Fill Screw	1
1-38	160.1310-R038P	Schraube	Vented Reservoir Screw	1
1-39	160.1310-R039P	Dichtung	Sealing	1
1-40	160.1310-R040P	Mutter	Nut	1
1-41	160.1310-R041P	Bolzen	Bolt	1
1-42	160.1310-R042P	Handgriffschutz	Handle Sleeve	2
1-43	160.1310-R043P	Handgriff	Handle	1
1-44	160.1310-R044P	Nylonring	Nylon Gasket	1
1-45	160.1310-R045P	O-Ring	O-ring	1
1-46	160.1310-R046P	O-Ring	O-ring	1
1-47	160.1310-R047P	Kugellager	Bushing	1
1-48	160.1310-R048P	Sicherungsring	Snap Ring	2
1-49	160.1310-R049P	Kugellager	Bushing	1
1-50	160.1310-R050P	Innerer Zylinder	Inner Cylinder	1
1-51	160.1310-R051P	Kugellager	Bushing	1
1-52	160.1310-R052P	Kugellager	Bushing	1
1-53	160.1310-R053P	Abstreifring	Wiper Ring	1
1-54	160.1310-R054P	Schraubkappe	Screw Cap	1
1-55	160.1310-R055P	Abstreifring	Wiper Ring	1
1-56	160.1310-R056P	Kugellager	Bushing	1
1-57	160.1310-R057P	Hubkolben	Piston Rod	1
1-58	160.1310-R058P	O-Ring	O-ring	1
1-59	160.1310-R059P	Führungsring	Guide Ring C	1
1-60	160.1310-R060P	Schraubkappe	Screw Cap	1
1-61	160.1310-R061P	Abstreifring	Wiper Ring	1
1-62	160.1310-R062P	Abstreifring	Wiper Ring	1

Art. 160.1310

Part. No	Art.-Nr.	Beschreibung	Description	Menge Qty.
1-63	160.1310-R063P	Schraube	Screw	1
1-64	160.1310-R064P	Stützstrebe	Adjustable strut assy	4
1-65	160.1310-R065P	Mutter	Nut	4
1-66	160.1310-R066P	Einstellbolzen	Adjustable bolt	4
1-67	160.1310-R067P	Halter für Stützstrebe	Bracket assy	1
1-68	160.1310-R068P	Bolzen	Bolt	4
1-69	160.1310-R069P	Bolzen	Bolt	4
1-70	160.1310-R070P	Schraube	Screw	1
1-71	160.1310-R071P	Mutter	Nut	8
1-72	160.1310-R072P	Durchflussventil	Flow valve	1
1-73	160.1310-R073P	Schraube	Screw	1
2-1	160.1310-R074P	Lenkrolle 1	Caster assy	2
2-2	160.1310-R075P	Lenkrollw 2	Swivel caster	2
2-3	160.1310-R076P	Schraube	Screw	8
2-4	160.1310-R077P	Unterlegscheibe	Washer	8
2-5	160.1310-R078P	Halter für Lenkrolle	Leg	2
2-6	160.1310-R079P	Mutter	Nut	4
3-1	160.1310-R080P	Hacken	Hook	2
3-2	160.1310-R081P	Aufnahmepunkt 1	Fixing bracket A	2
3-3	160.1310-R082P	Schraubkappe	Screw cap	2
3-4	160.1310-R083P	Aufnahmeschiene	Corner bracket	2
3-5	160.1310-R084P	Bolzen	Bolt	2
3-6	160.1310-R085P	Mutter	Nut	4
3-7	160.1310-R086P	Unterlegscheibe	Flat washer	4
3-8	160.1310-R087P	Aufnahmepunkt 2	Fixing bracket B	4
3-9	160.1310-R088P	Bolzen	Bolt	4
3-10	160.1310-R089P	Schraube	Screw	2
3-11	160.1310-R090P	Schenkel	Link	2
3-12	160.1310-R091P	Sicherheitskette	Safety chain	2
3-13	160.1310-R092P	Universalaufnahme	Universal saddle	1

Part. No	Art.-Nr.	Beschreibung	Description	Menge Qty.
3-14	160.1310-R093P	Unterlegscheibe	Flat washer	2
3-15	160.1310-R094P	Bolzen	Shaft	1
3-16	160.1310-R095P	Schraube	Screw	1
3-17	160.1310-R096P	Halterung	Bracket	1
3-18	160.1310-R097P	Sicherungsmutter	Lock nut	2
3-19	160.1310-R098P	Bolzen	Shaft	2
3-20	160.1310-R099P	Kugellager	Bearing	2
3-21	160.1310-R100P	Kugellager	Bushing	2
3-22	160.1310-R101P	Bolzen	Bolt	1
3-23	160.1310-R102P	Sicherungsring	Snap ring	8
3-24	160.1310-R103P	Bolzen	Shaft	2
3-25	160.1310-R104P	Halterung	Bracket	1
3-26	160.1310-R105P	Schraube	Screw	1
3-27	160.1310-R106P	Bolzen	Shaft	1
3-28	160.1310-R107P	Drehknopf	Knob	2
3-29	160.1310-R108P	Bolzen	Pin	2
3-30	160.1310-R109P	Mutter	Nut	2
3-31	160.1310-R110P	Sicherungsring	Snap ring	4