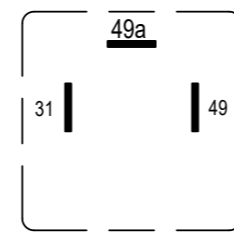
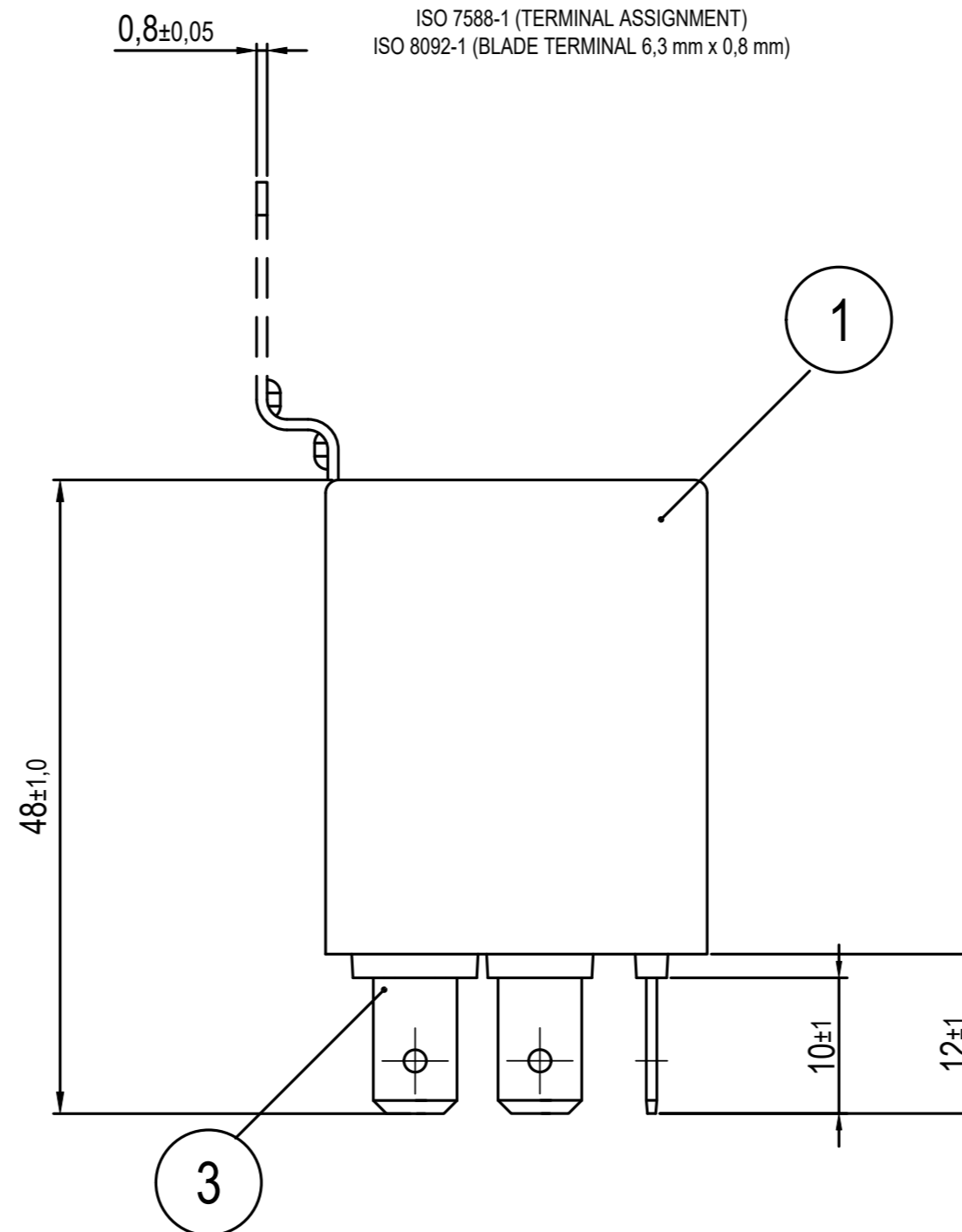


TERMINALS ARRANGEMENT



ACCORDING TO:
ISO 7588-1 (TERMINAL ASSIGNMENT)
ISO 8092-1 (BLADE TERMINAL 6,3 mm x 0,8 mm)



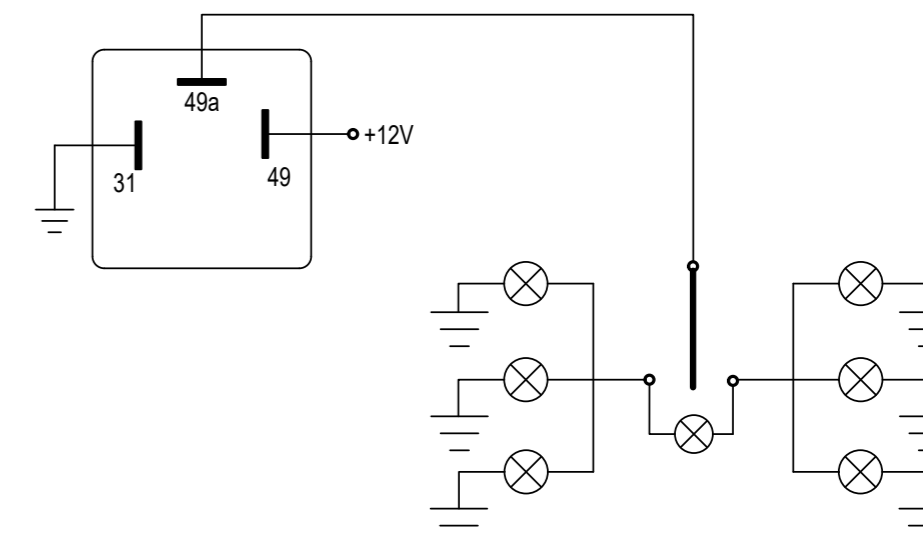
CHARACTERISTICS

RATED VOLTAGE	12V DC
OPERATING VOLTAGE	(10 + 15)V DC
RATED LOAD	12V (1-6x21W)
OPERATING TEMPERATURE	-40°C + 85°C
DUTY CYCLE	(50±3)%
FLASHING FREQUENCY	85 ± 15 CPM (DIAGNOSTIC NOT PRESENT)
DIAGNOSTIC	NOT PRESENT
LIFETIME TEST	200h @ RATED LOAD @ 13V @ 23 °C
MECHANICAL LIFETIME	1.000.000 OPERATIONS
IP PROTECTION	IP54

MATERIALS

N.	Description	Material	Treatment	Color	Note
1	HOUSING	PA 66 GF30	-	BLACK	-
2	BASEPLATE	PA 66 GF30	-	BLACK	-
3	TERMINAL	CuZn37	Sn 5µm	GREY	-
4	BRACKET	EN 10130 DC01	LANTHANE MIN 7 µm	GREY	PROVIDED DETACHED

WIRING DIAGRAM



REVISIONS

REV.	DESCRIPTION	COORDINATES	DATE
1			

GENERAL TOLERANCES ACCORDING TO ISO 2768-mH

ALL PROPRIETARY RIGHTS RESERVED. THE COMPANY ASSERTS ONE'S RIGHTS ACCORDING TO THE LAW.
THIS DRAWING SHALL NOT BE REPRODUCED OR IN ANY WAY UTILIZED TO MAKE COMPONENTS AND IT MUST NOT BE RELEASED TO OTHER PARTIES WITHOUT WRITTEN CONSENT.

HERTH+BUSS	TITLE	WEIGHT	SCALE
	FLASHER 12V 3P 10-140W WITHOUT DIAGNOSTIC	32 g	1 : 1
	PART NUMBER	REV.	SIZE
75605123	0	A2	SHEET
			1 / 1