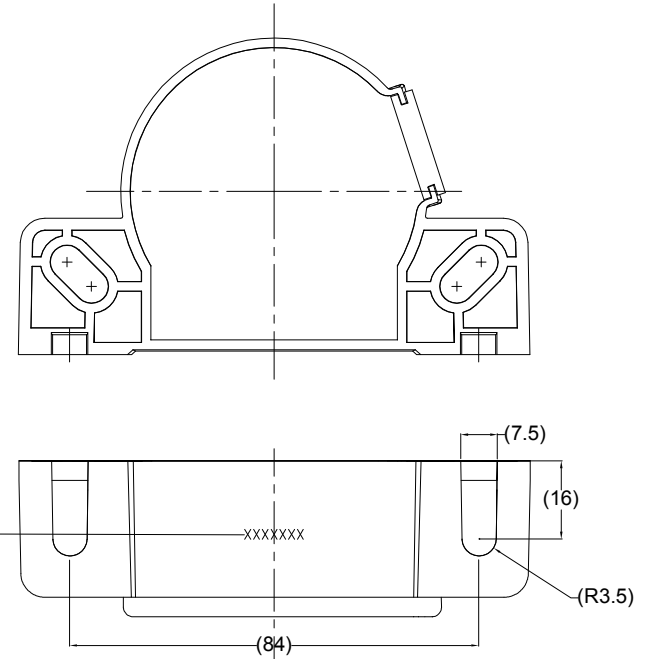
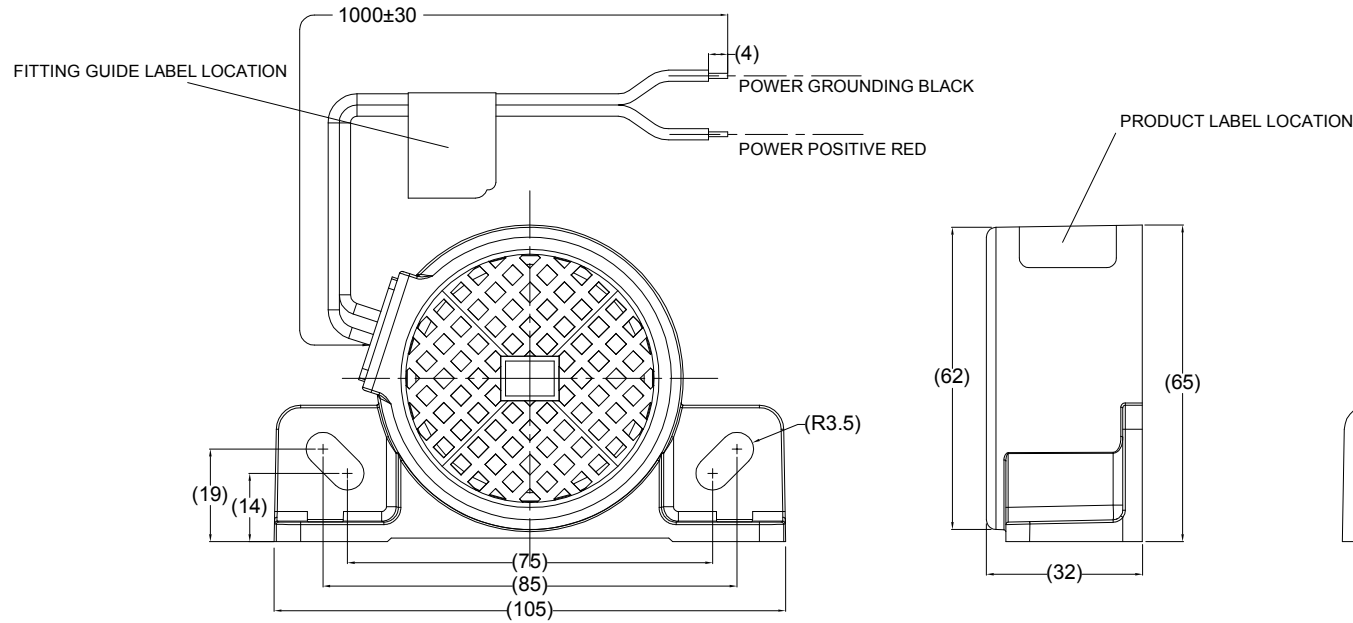


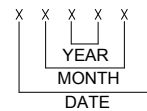
Revision Notes				
R1 - NOTES UPDATED TO INCLUDE LABEL DETAILS, STANDARDS UPDATED AS PER ECR CR-A274.				
APA: K.IIDA	Drawn:R.BATES	Checked:M.BUTLER	Approved:GPLITH	Date: 28/08/14



SPECIFICATION:

1. RATED VOLTAGE: 12 AND 24 VOLT DIRECT CURRENT (WORKING VOLTAGE RANGE 9~32 VOLTS)
2. RATED CURRENT: 0.2 AMPERES OR LESS.
3. SOUND PRESSURE: 87±4 DECIBELS AT TEST VOLTAGE OF 14 AND 28 VOLTS (AS MEASURED AT DISTANCE OF 1.2M AND AT HEIGHT OF 1.2M ABOVE THE GROUND)
4. INTERMITTENCE: 80±10 CYCLES PER MINUTE AT TEST VOLTAGE OF 14 AND 28 VOLTS.
5. TONE: WHITE SOUND(BBS).
6. ENVIRONMENTAL: SUBJECT TO SAE J994.

PRODUCTION LOT NO.



- E= EUROPE
- U= USA
- A= AUSTRALIA

NOTES:

1. FOR PRODUCT LABEL REFER TO LATEST REVISION OF DRAWING BE-002833-XX-14.
2. FOR GIFTBOX LABEL REFER TO LATEST REVISION OF DRAWING BE-002834-XX-14.
3. "R TRIANGLE" INDICATES CHANGES MADE TO CURRENT REVISION AS IDENTIFIED IN REVISION NOTES.

PROPRIETARY NOTICE

THIS DESIGN AND TECHNICAL INFORMATION APPEARING ON THIS DRAWING IS THE PROPERTY OF BRIGADE ELECTRONICS, AND IS DISCLOSED IN CONFIDENCE. IT IS NOT TO BE COPIED, REPRODUCED, REVEALED TO OR EXPROPRIATED BY OTHERS, EITHER IN WHOLE OR IN PART WITHOUT THE EXPRESS WRITTEN CONSENT OF BRIGADE ELECTRONICS.

BRIGADE®
www.brigade-electronics.com

Assembly Pl Approval K.IIDA 26/02/13	Approved by S.MATTHEWS	Checked by G.PLITH	Drawn by R.BATES
Angle of Projection 	Units mm	Scale N/A	Released 27/02/13
	Status RELEASED	Assembly Ref BBS-87	
	Part No 0897B	BE-002319-01-13	